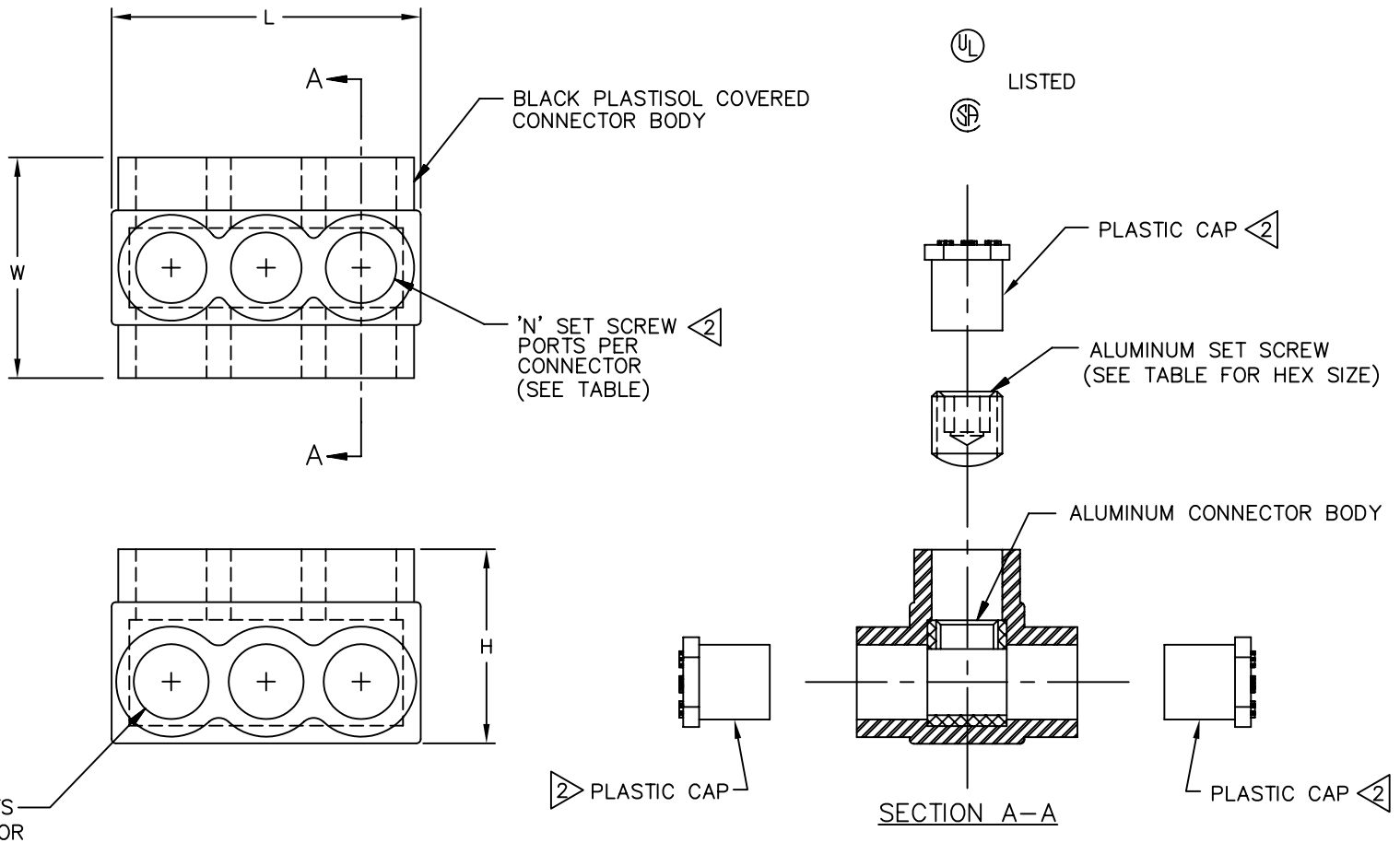


DRAWING NO.								
10013354								
CATALOG NO.	WIRE RANGE (AWG/kcmil)	L	W	H	HEX KEY	N		
1PLD2/0-2	#14-2/0	1.52 [39]	1.56 [40]	1.38 [35]	3/16	2		
1PLD2/0-3	#14-2/0	2.19 [56]	1.56 [40]	1.38 [35]	3/16	3		
1PLD2/0-4	#14-2/0	2.86 [73]	1.56 [40]	1.38 [35]	3/16	4		
1PLD2/0-5	#14-2/0	3.53 [90]	1.56 [40]	1.38 [35]	3/16	5		
1PLD2/0-6	#14-2/0	4.20 [107]	1.56 [40]	1.38 [35]	3/16	6		
1PLD2/0-8	#14-2/0	5.55 [141]	1.56 [40]	1.38 [35]	3/16	8		
1PLD2/0-10	#14-2/0	6.89 [175]	1.56 [40]	1.38 [35]	3/16	10		
1PLD2/0-12	#14-2/0	8.24 [209]	1.56 [40]	1.38 [35]	3/16	12		
1PLD2/0-14	#14-2/0	9.58 [243]	1.56 [40]	1.38 [35]	3/16	14		

REV.	DATE	DESCRIPTION	ECO	BY	C'K'D.
B	9/20/06	ADDED TEXT NOTE #5	13422	PL	DB

FEATURES	BENEFITS
PLASTISOL COVERED AL6061-T6 BODY	SAVES TIME, LOWERS INSTALLATION COSTS, ELIMINATES TAPING.
OXIDE-INHIBITOR IS PRE-INSTALLED	INHIBITS MOISTURE AND CONTAMINANTS FROM ENTERING THE CONTACT AREA
RANGE-TAKING	REDUCES THE NUMBER OF CONNECTORS CARRIED IN INVENTORY



NOTES:

- CONNECTORS ARE SUPPLIED INDIVIDUALLY LABELED. LABEL INFORMATION INCLUDES CATALOG NUMBER, QUANTITY, AND BARCODE.
- END CAPS INSTALLED ON WIRE PORTS AND SET SCREW PORTS.
- ALL CONNECTORS UL LISTED, CSA CERTIFIED FOR AL9CU, 90°C APPLICATIONS, UNLESS OTHERWISE NOTED.
- DIMENSIONS IN BRACKETS [] ARE IN MILLIMETERS ROUNDED OFF TO THE NEAREST MILLIMETER, UNLESS OTHERWISE NOTED, AND ARE FOR REFERENCE ONLY.
- UV RATED INSULATION MATERIAL.

TO ORDER BURNDY PRODUCTS CALL 1-800-346-4175
 MANCHESTER, NH 03109, USA
 FOR PRODUCT INFO = <http://www.fciconnect.com>

UV BLACK COVERED DISTRIBUTION CONNECTORS

ITEM NO: N/A

CAT NO: 1PLD2/0- SERIES, (TABLE)

SCALE: N/A

DRAWN BY: P LAPONIUS	8/14/02
CHECKER: D BOISVERT	8/14/02
DSN APPVL: J MICHAUD	8/14/02
MFG APPVL: ---	---
QC APPVL: J BRODEUR	8/13/02
MKT APPVL: A ZWT	8/13/02

PROD FAM: ---

PROJECT #: ---

DOCUMENT TYPE: Sales

REL LEVEL: AUTOCAD

FCI BURNDY PRODUCTS

DRAWING NO	REV
10013354	B

SHEET 1 OF 1