

Wiley Electronics LLC

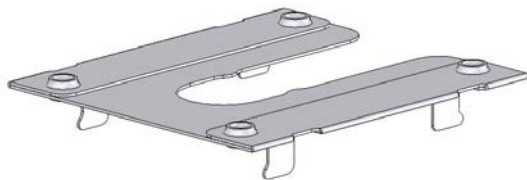
Washer, Electrical Equipment Bonding (WEEB)

The WEEB is a device for bonding PV modules to mounting rails. The WEEB is designed to provide a reliable gas-tight electrical connection between anodized aluminum pieces. In use, the WEEB is inserted between the PV module and rail at two of the four clamping points. The module and rail are then clamped together in the usual manner. The specially designed teeth penetrate any module or rail coating for excellent conductivity

- Material: 304 stainless steel
- Listed to UL467 by ETL
- Maximum electrical equipment ground conductor size when used with 2 WEEBs contacting each module in an assembly: 6 AWG
- Outdoor rated

Model number:	WEEB-CMC	for use with Conergy Sun Top
	WEEB-CSG and Wedge	for use with Conergy Solar Giant
	WEEB-DMC	for use with DP&W PowerRail, IronRidge rails, and low-lipped modules on UniRac SolarMount
	WEEB-DPF	for use with DP&W PowerTube CRS
	WEEB-KMC	for use with K2 System
	WEEB-PMC	for use with ProSolar rails
	WEEB-SMC	for use with Schüco rails
	WEEB-UMC	for use with UniRac SolarMount rails, and Solar City Rails
	WEEB-WMC	for use with DP&W PowerTube CRS, TTI Mounting Systems, and Unistrut 1 5/8" rail

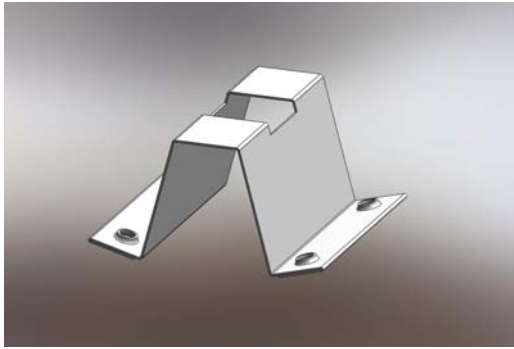
WEEB-CMC



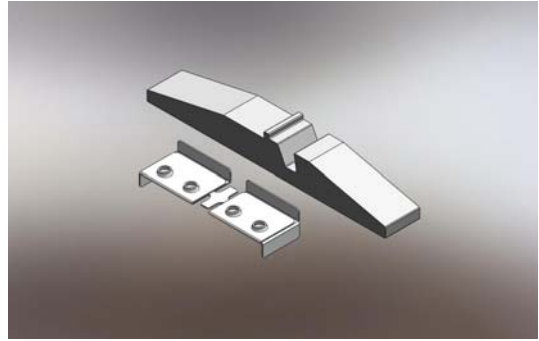
WEEB-DMC



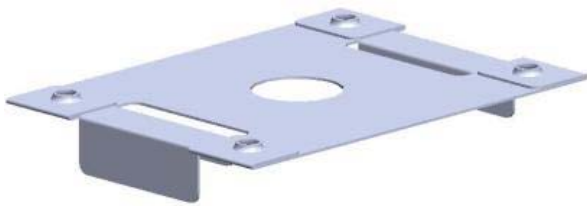
WEEB-DPF



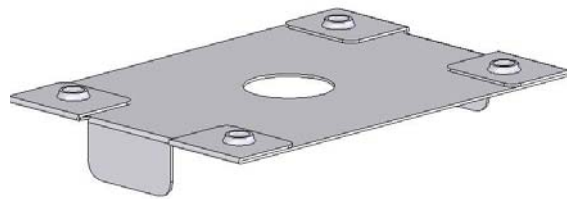
WEEB-CSG and Wedge



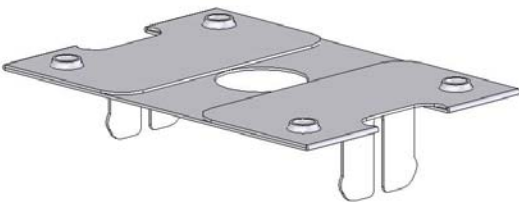
WEEB-KMC



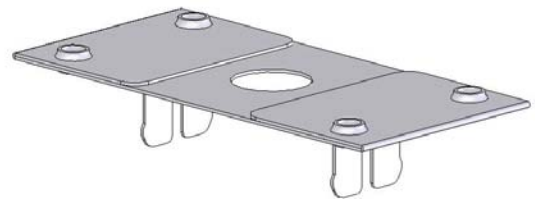
WEEB-PMC



WEEB-SMC



WEEB-UMC



WEEB-WMC

